



2J9007 2J9007A

**Type
Frequencies**

Marine Combined Antenna
GPS L1(1575.42 MHz)
Glonass(1592 – 1610 MHz)
Tetra(380 – 500 MHz)

**Mounting
Revision**

Any surface
00

Application

Marine
Containers
Navigation

Features

RoHS Compliant



P. Tipul

D. Noble



1. PRODUCT SELECOR

2J9007 version with bracket
2J9007A version without bracket

2. SPECIFICATIONS

2.1. RF specifications

2.1.1. GNSS (cable 1)

Frequencies	GPS/GLONASS (1572 – 1610 MHz)
Impedance	50 Ohms
Polarization	RHCP
LNA Gain	23dB at 3V and 24dB at 5V
VSWR	<1.2:1
Voltage supply	2,7V - 5,5V
Current	15 mA to 25 mA
Power (max.)	138mW
Operating temperature	-40°C to +85°C
IP certification	IP67
Note	Antenna is filtered

(*)Tested with 30 cm cable length

2.1.2. Tetra (cable 2)

Frequency	Tetra (380 – 500 MHz)
Gain	2 dBi Max
VSWR	<2:1
Impedance	50 Ohms
Polarization	Linear
Power handling	25 W

(*)Tested with 30 cm cable length

2.2. General

Operating temperature	-40°C to +85°C
IP certification	IP67

2.3. Connection specifications

Cable 1 (GNSS):
Connector type: SMA male
Cable: RG174
Cable length: 30cm

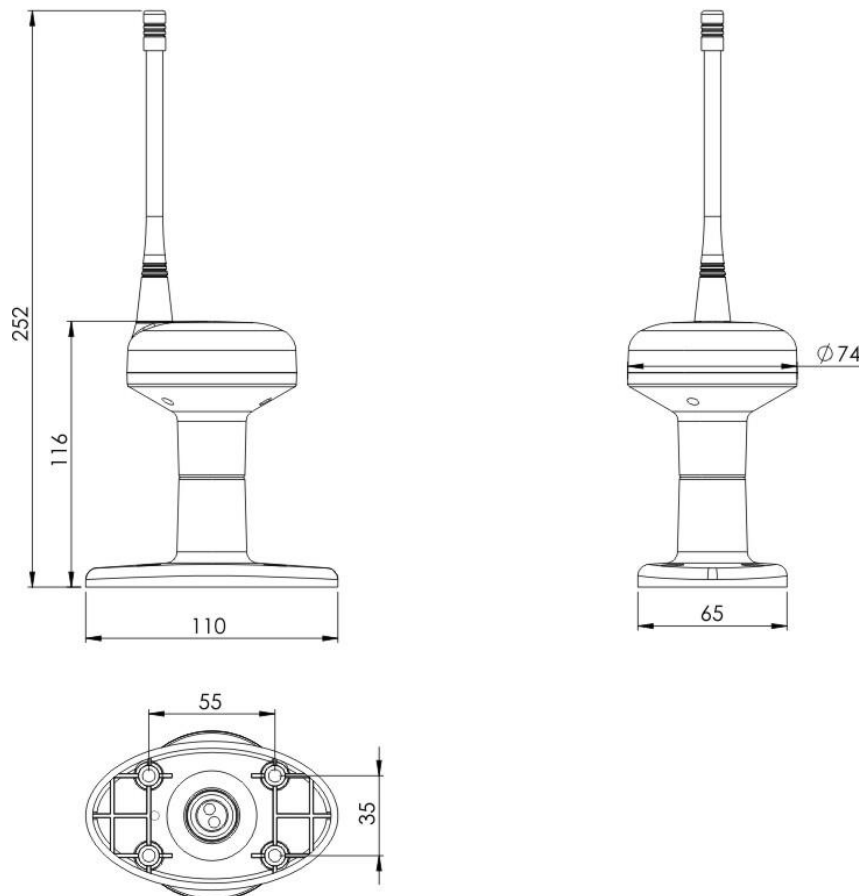
Cable 2 (Tetra):
Connector type: SMA male
Cable: RG58
Cable length: 30cm

For different cable length and connector please ask our sales team.

2.4. Mechanical specifications and dimensions

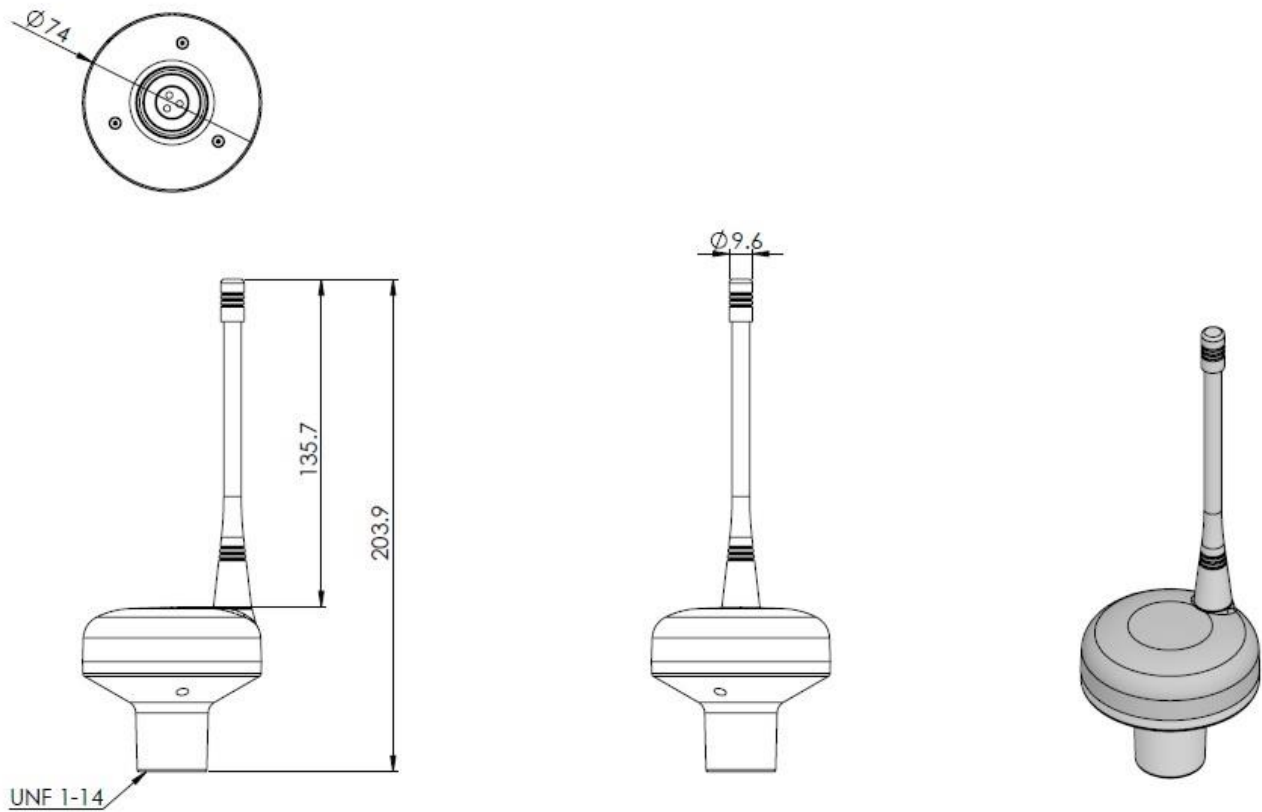
2.4.1. 2J9007

Material: ASA
Dimensions: 252 mm x 74 mm x 110 mm (H x W x L)
Weight: 170 g 'weight with default connection'
Color: White (for different colours please ask our sales team)



2.4.2. 2J9007A

Material: ASA
Dimensions: 203.9 mm x 74 mm (H x D)
Weight: 130 g 'weight with default connection'
Color: White (for different colours please ask our sales team)

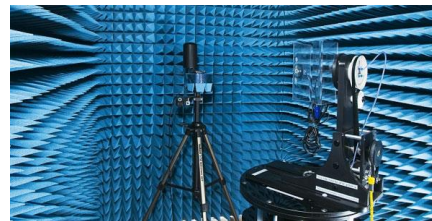
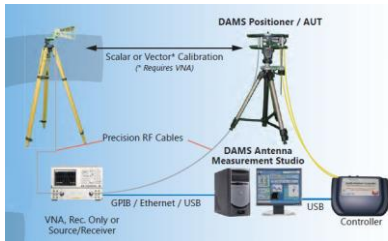


3. MEASUREMENT

3.1. SET for measurement

Connection: Antenna connected straight to DAMS platform
 Temperature: 25 °C
 Frequencies range: Tetra: 350-550 MHz / GNSS: Center 1575.42 MHz, Span 500 Mhz
 Input power: Tetra: 10 dBm / GNSS: 0 dBm

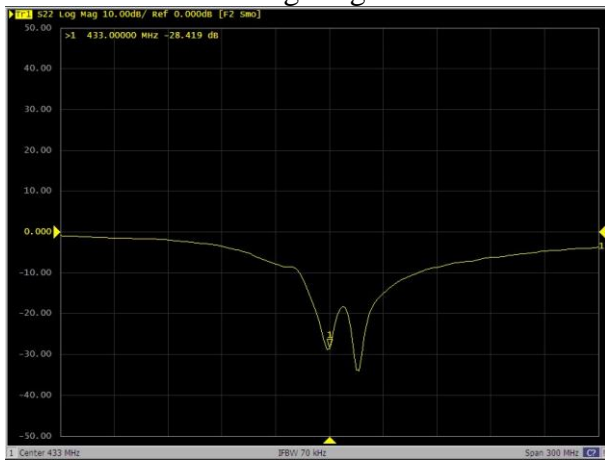
DAMS positioner with AUT and reference antenna are placed in anechoic chamber



3.2. Electrical characteristics

Tetra:

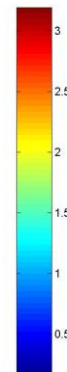
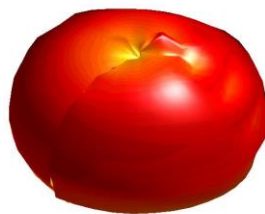
Log Mag



VSWR

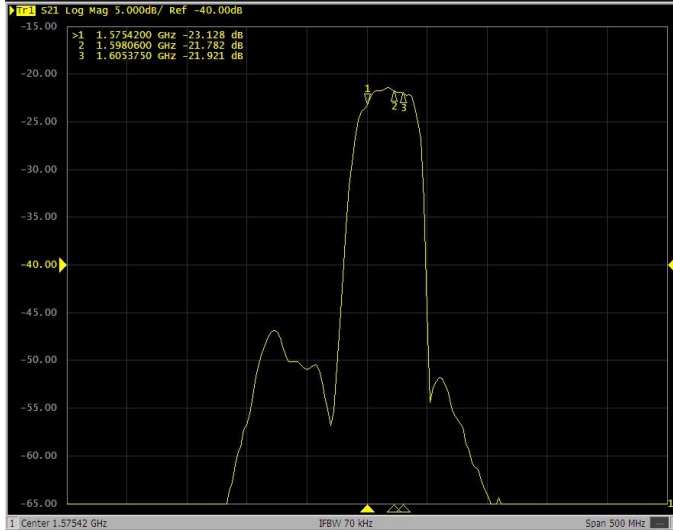


Freq = 0.4330GHz Az= 45 EL= 45

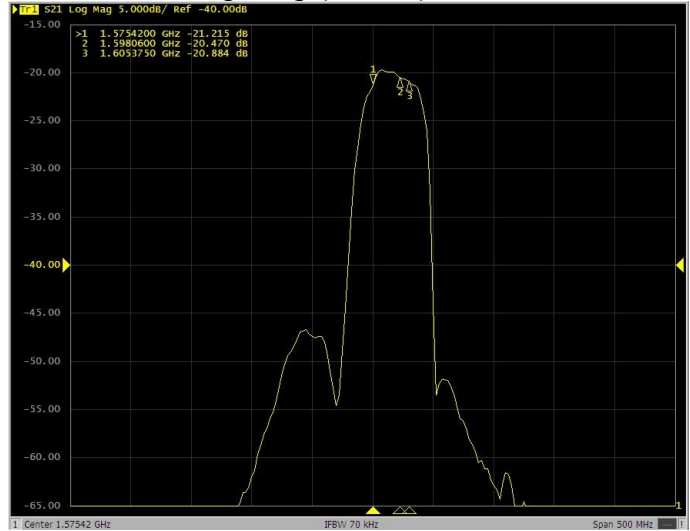


GNSS:

Log Mag (GNSS) at 3V

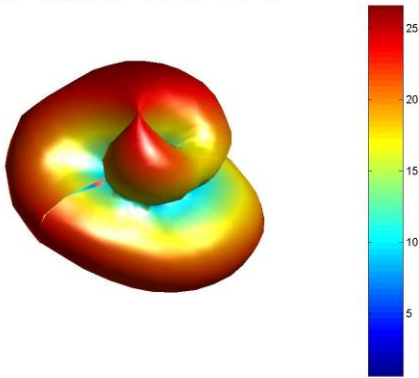


Log Mag (GNSS) at 5V

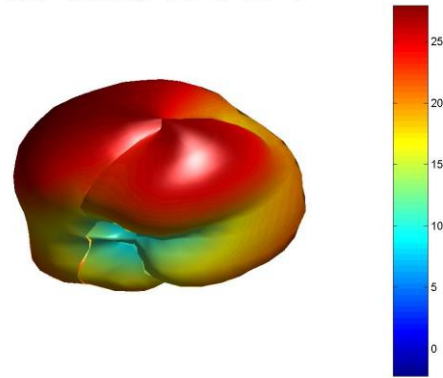


- 3D measurements made with 3V

Freq = 1.5754GHz Az= 45 EL= 45



Freq = 1.5979GHz Az= 45 EL= 45



Freq = 1.6054GHz Az= 45 EL= 45

